

SINGER

112W131

Form 2731w
(741)
Printed in U. S. A.



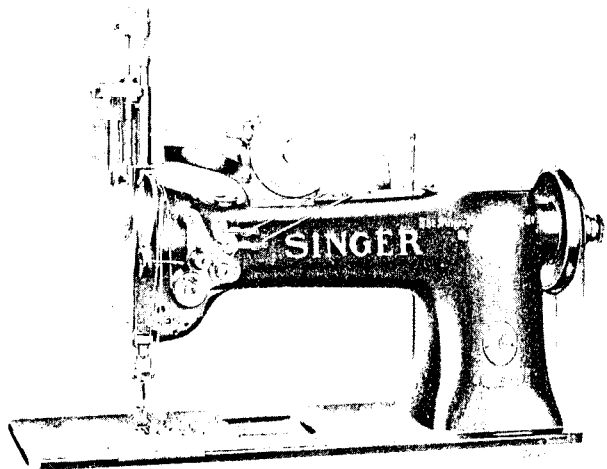
SINGER

112w131



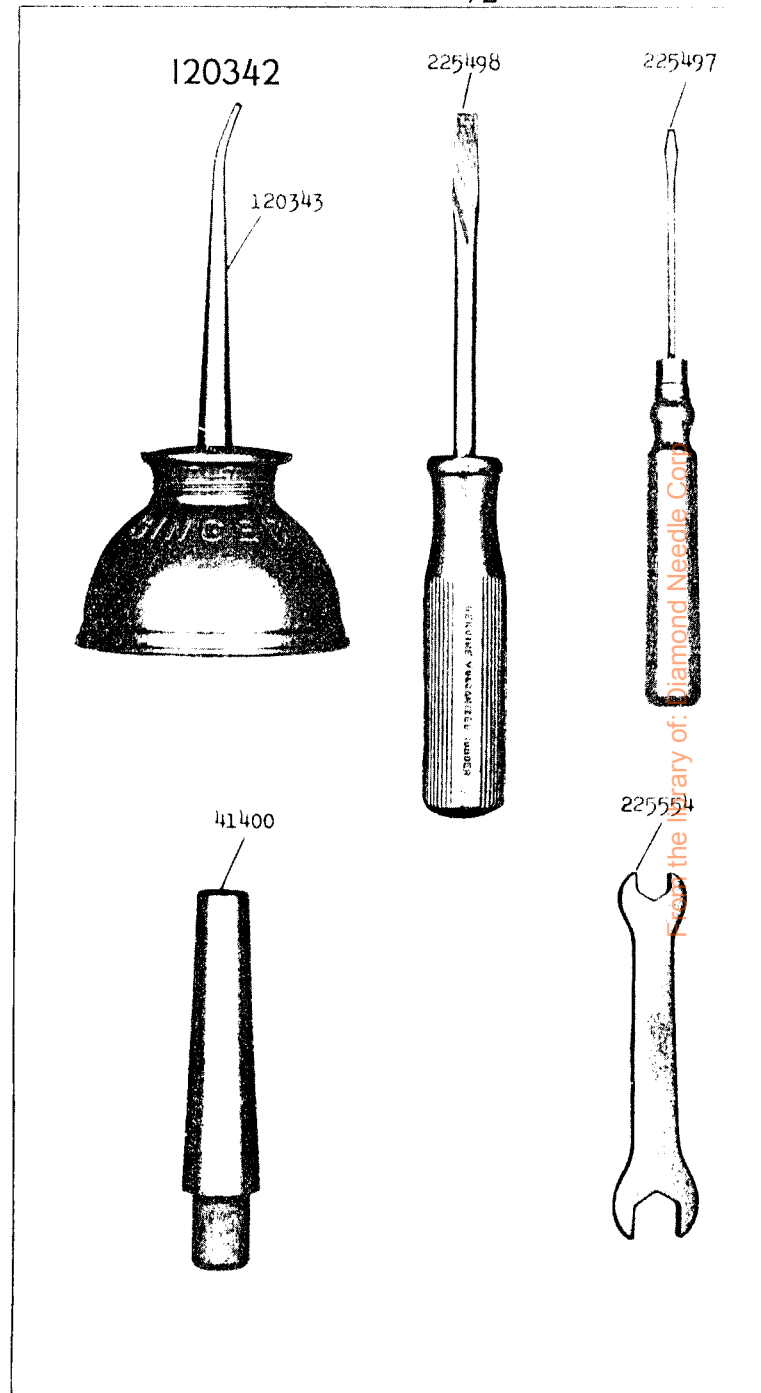
From the library of: Diamond Needle Corp

THE SINGER MANUFACTURING COMPANY



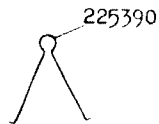
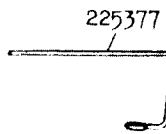
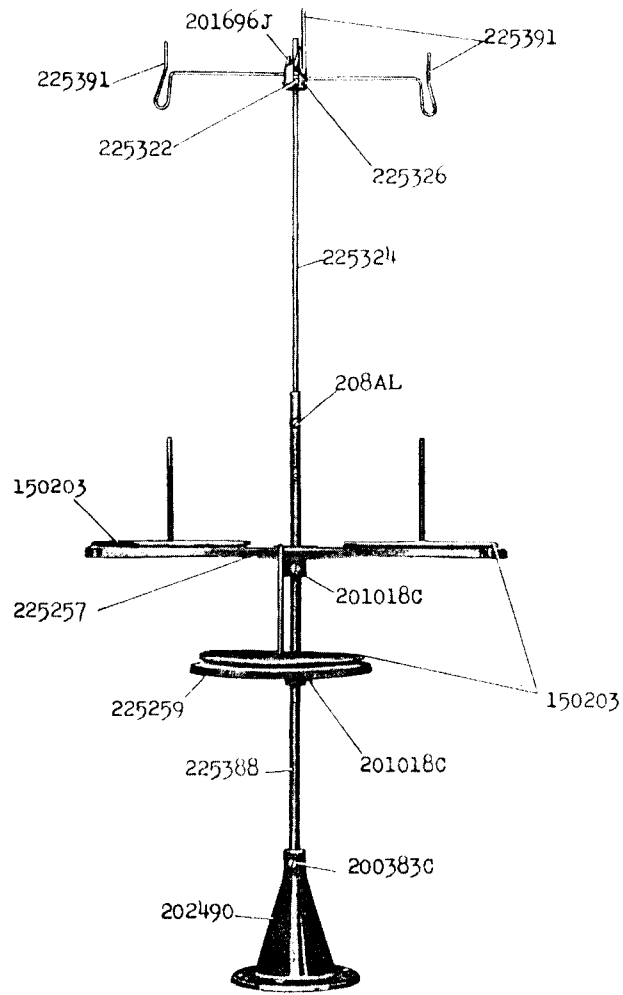
Copyright, U. S. A., 1939, 1940 and 1941
by The Singer Manufacturing Co.
All Rights Reserved for all Countries

13067 - 1/2



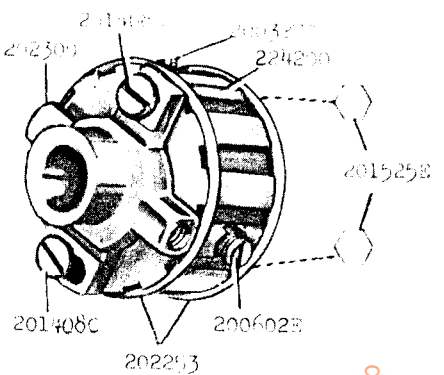
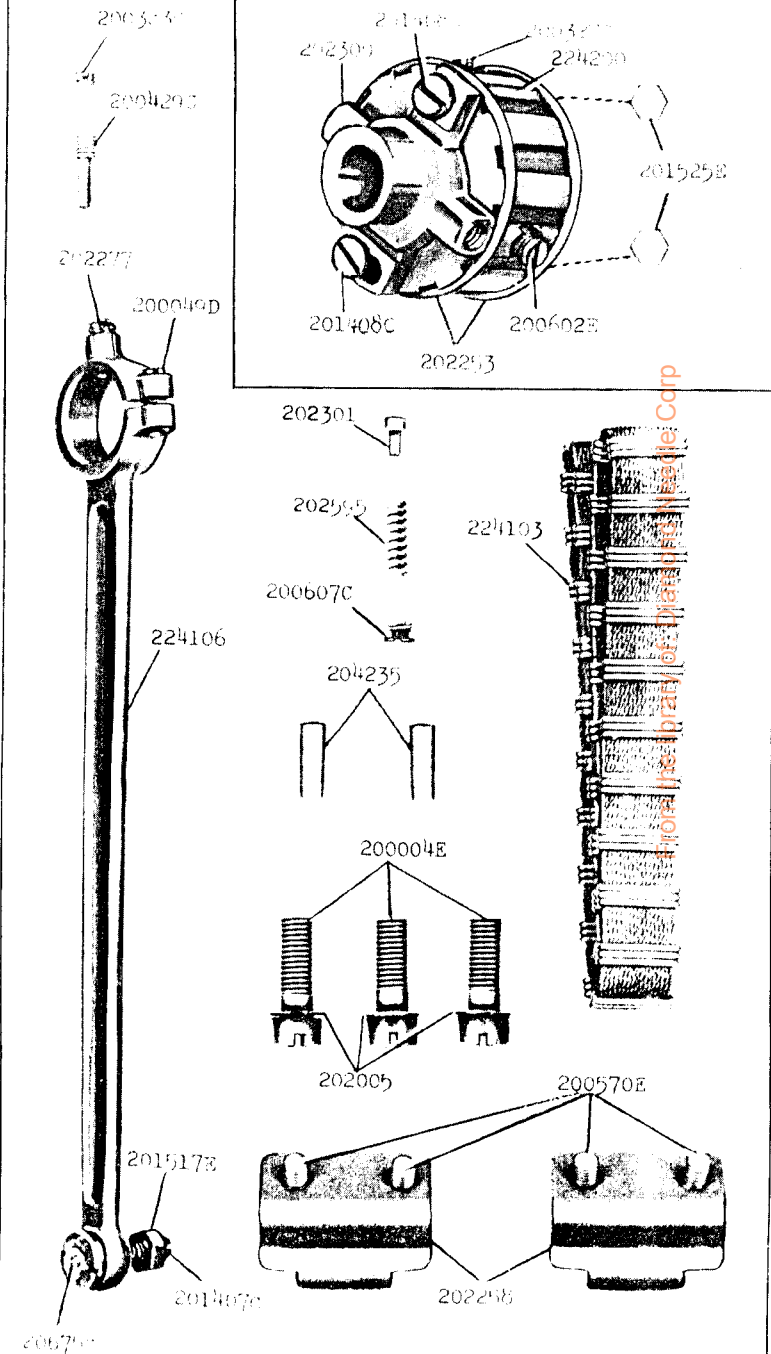
16257 - 1/6

259143



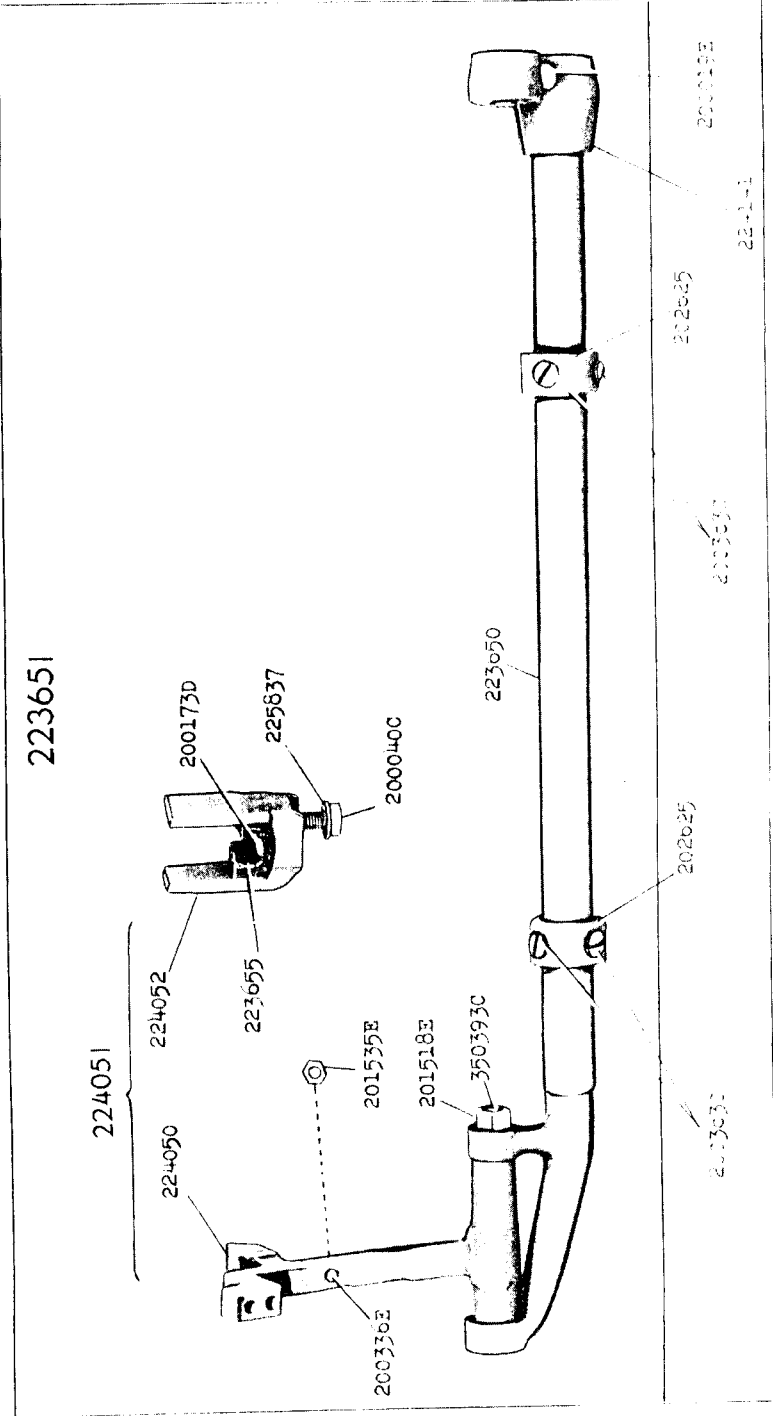
16260 - 1/2

224140

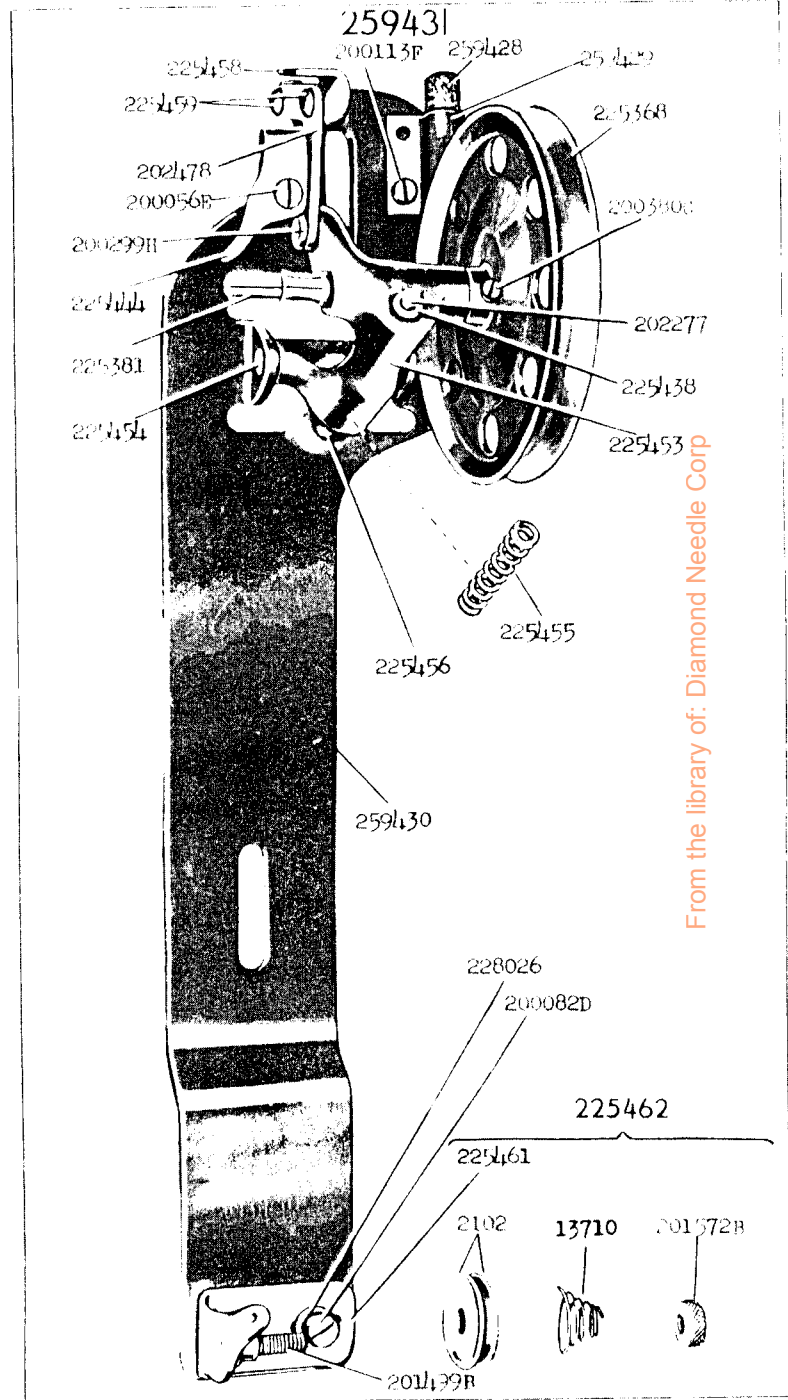


200700

16261 - 1/2



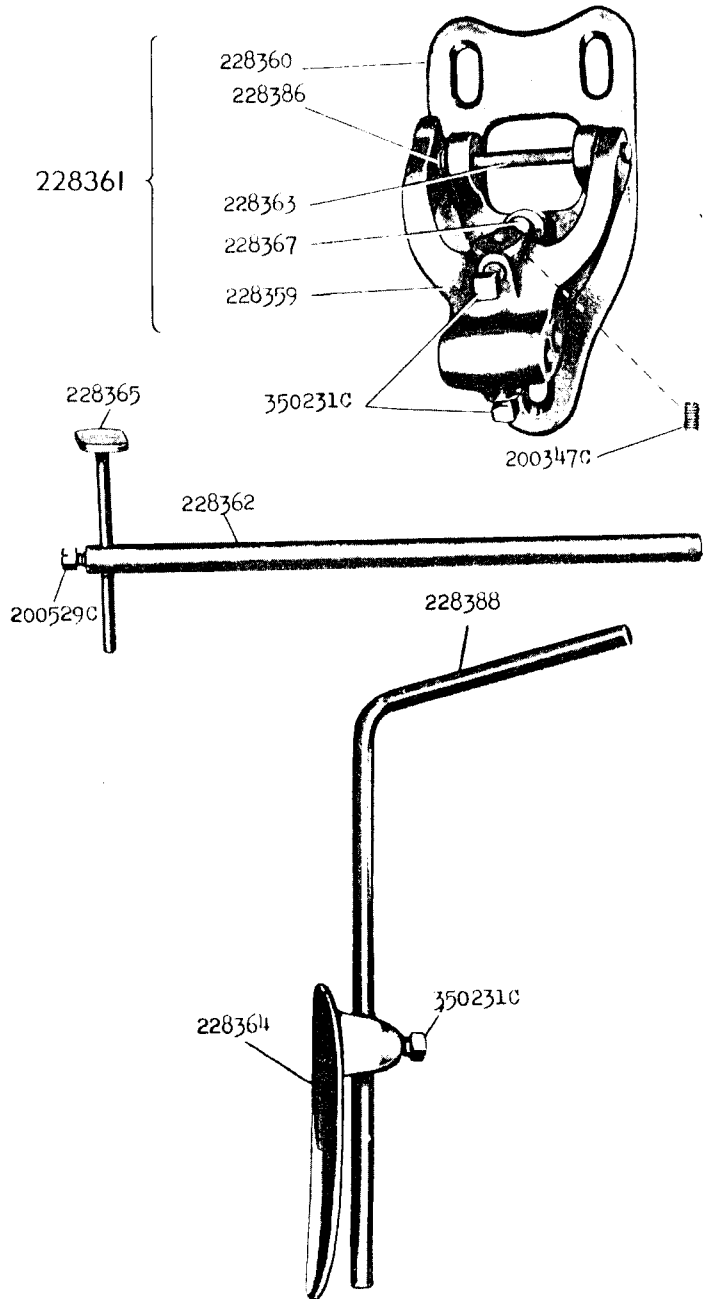
16615 - 1/2



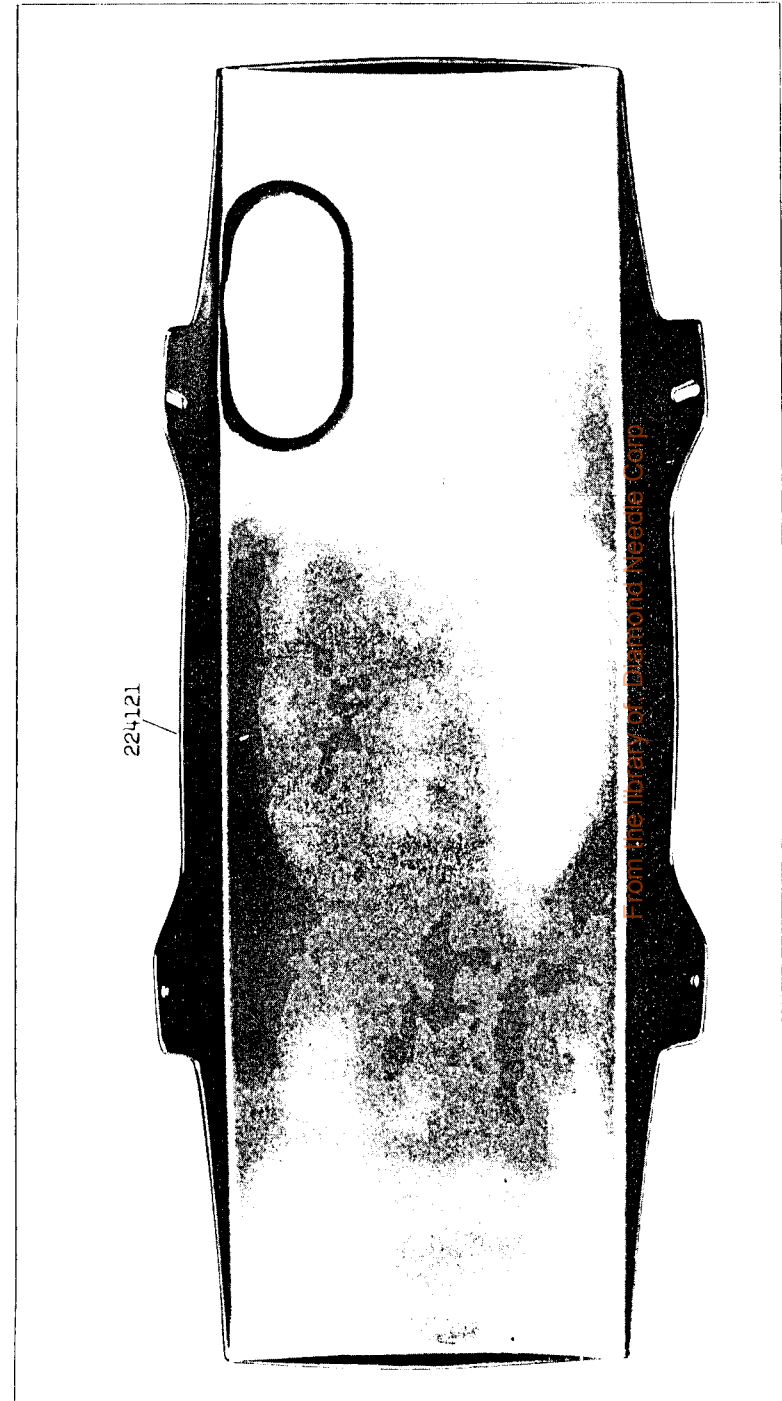
From the library of: Diamond Needle Corp

16643 - 3/8

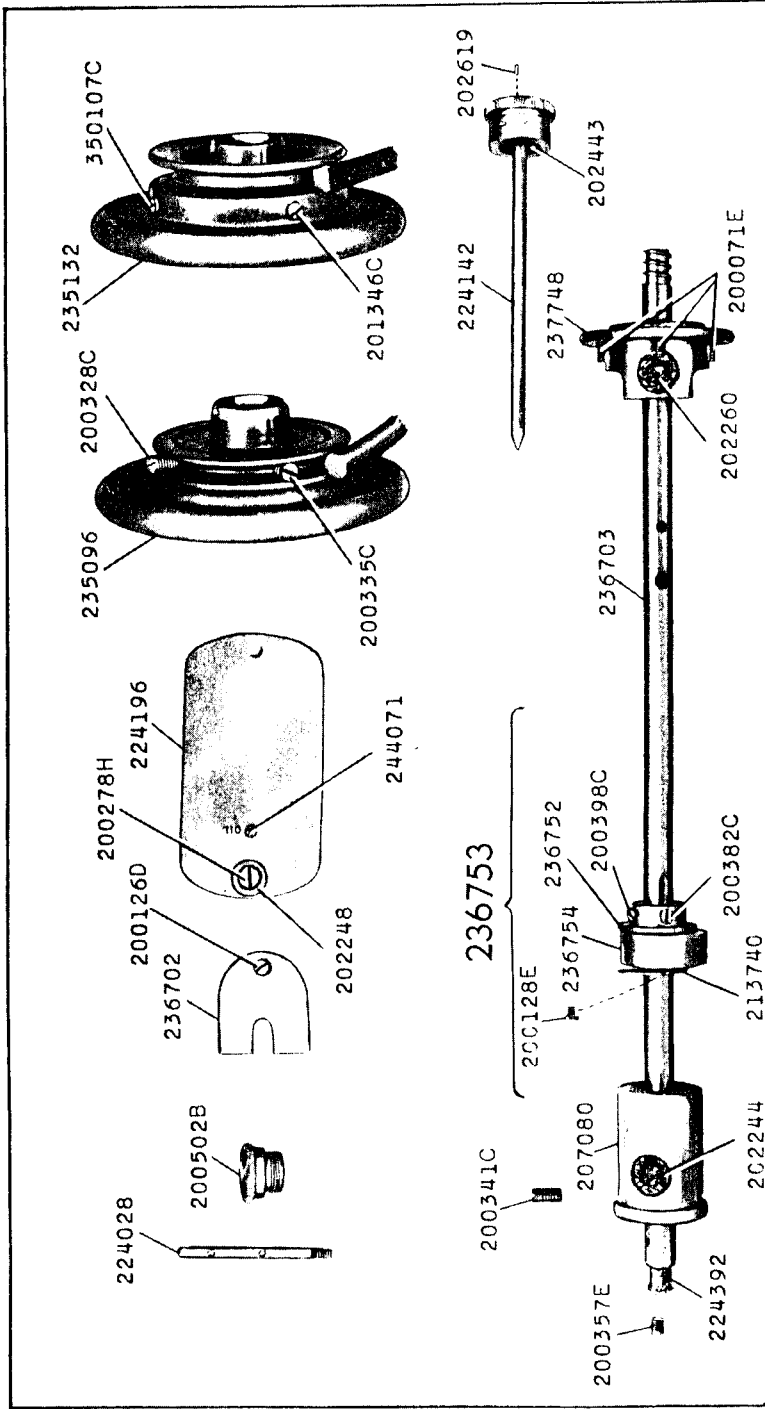
228368



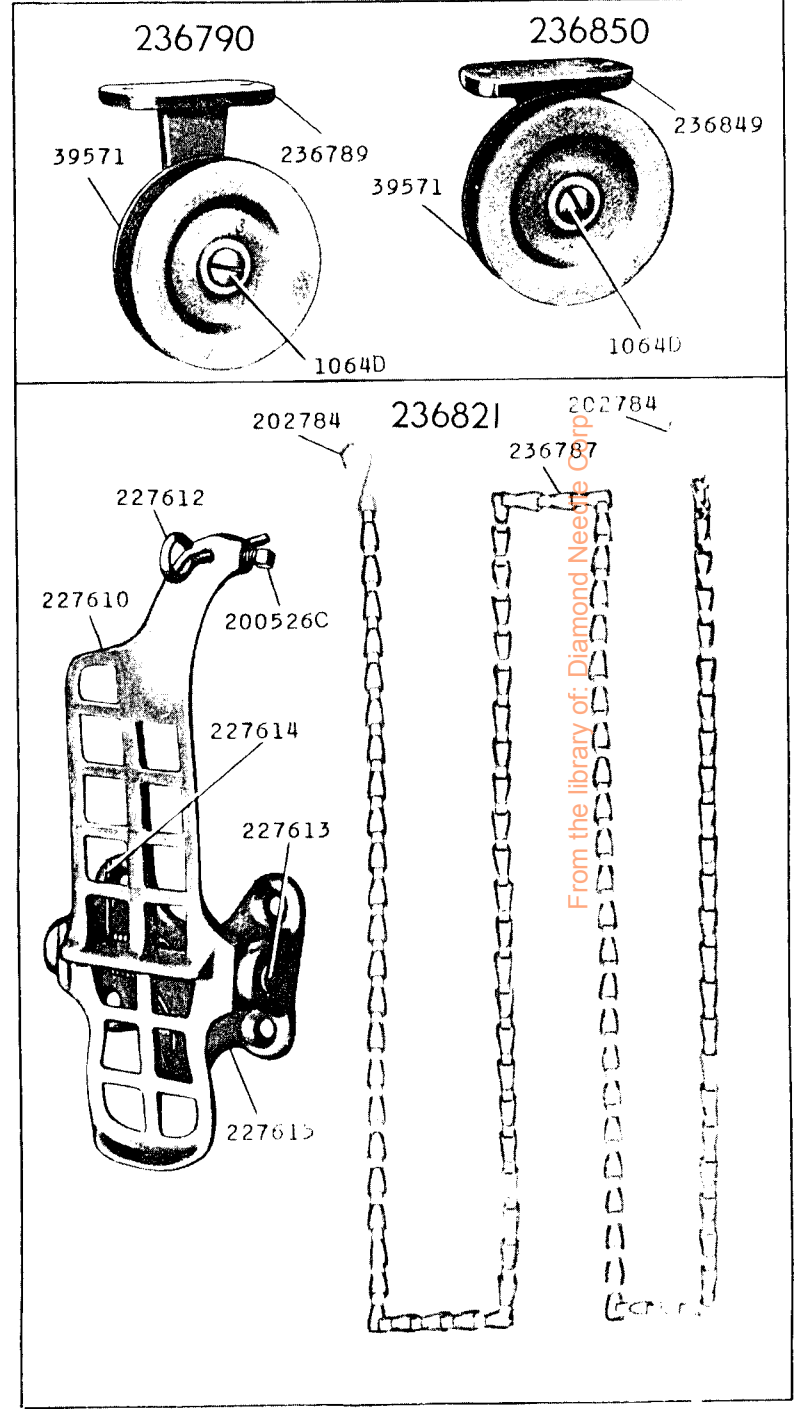
16644 - 1/3



17751 - 3/8

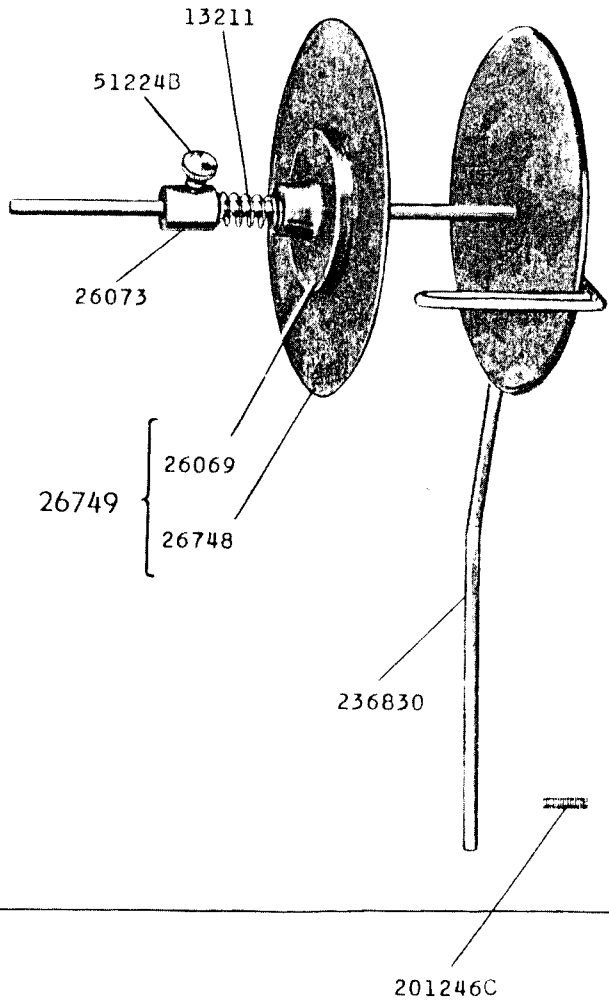


17762 - 1/3

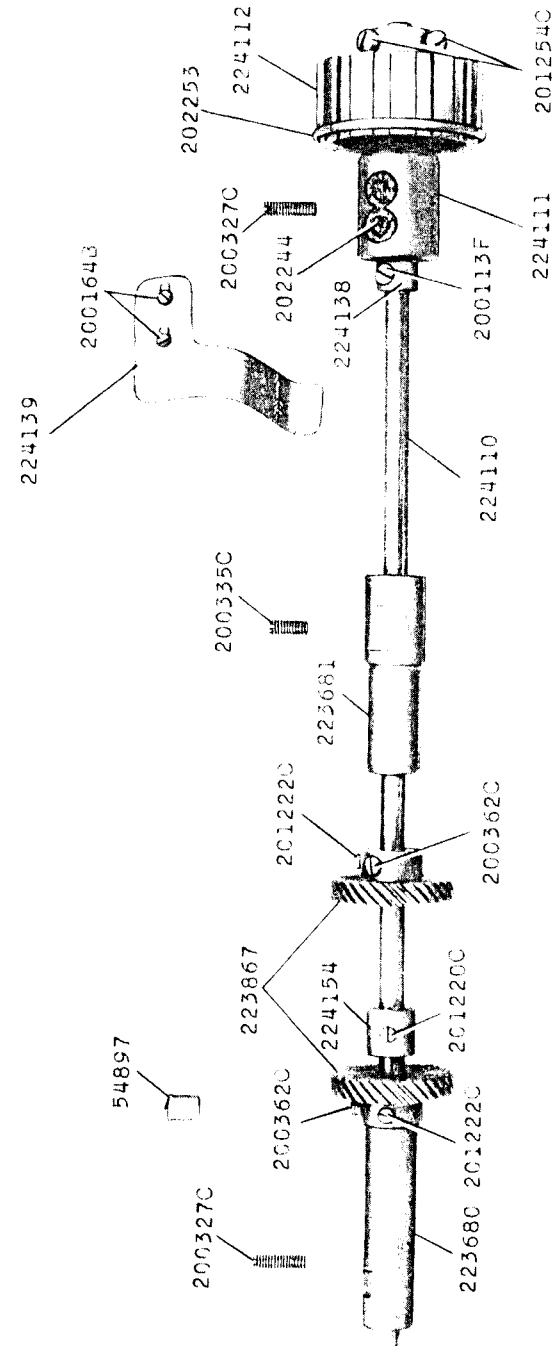


17763 - 3/8

236831

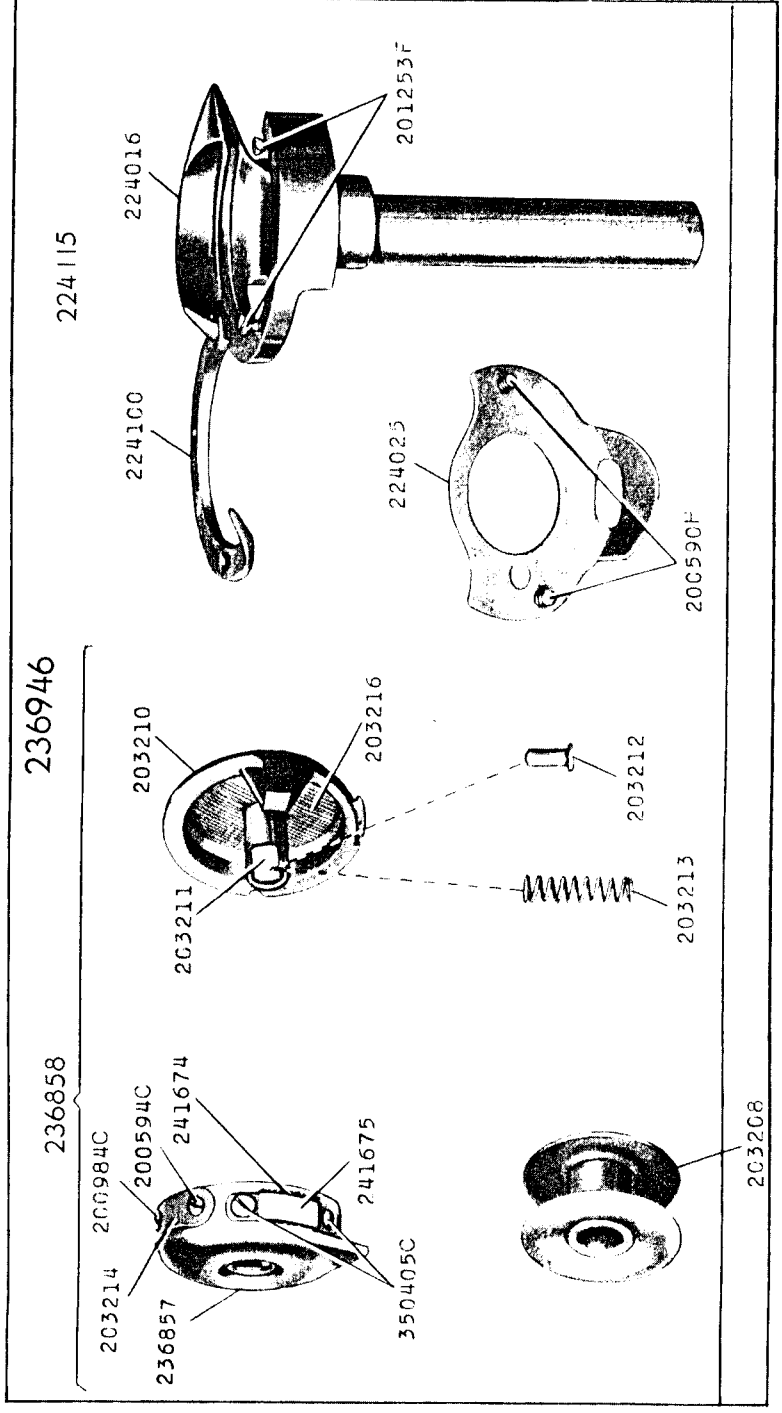


17764 - 3/8

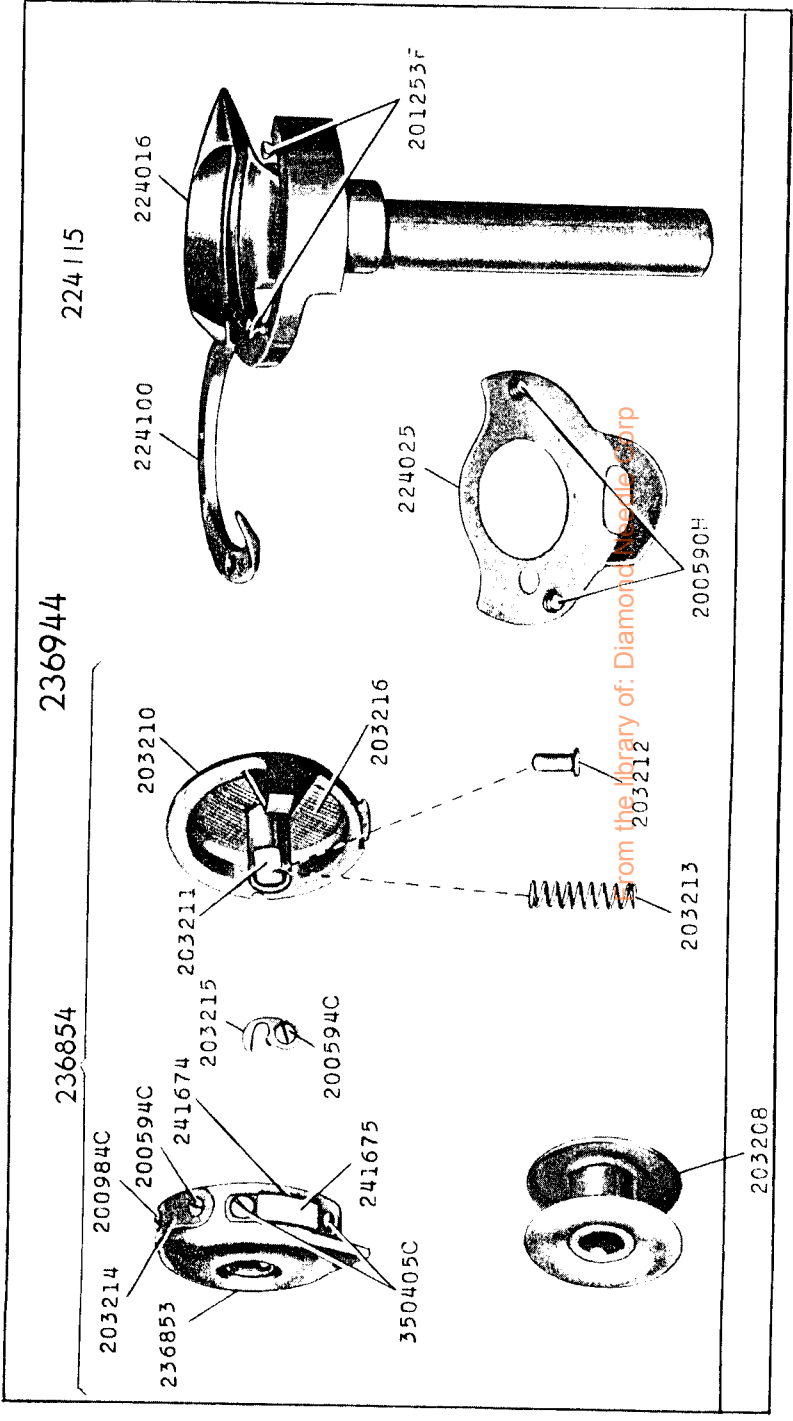


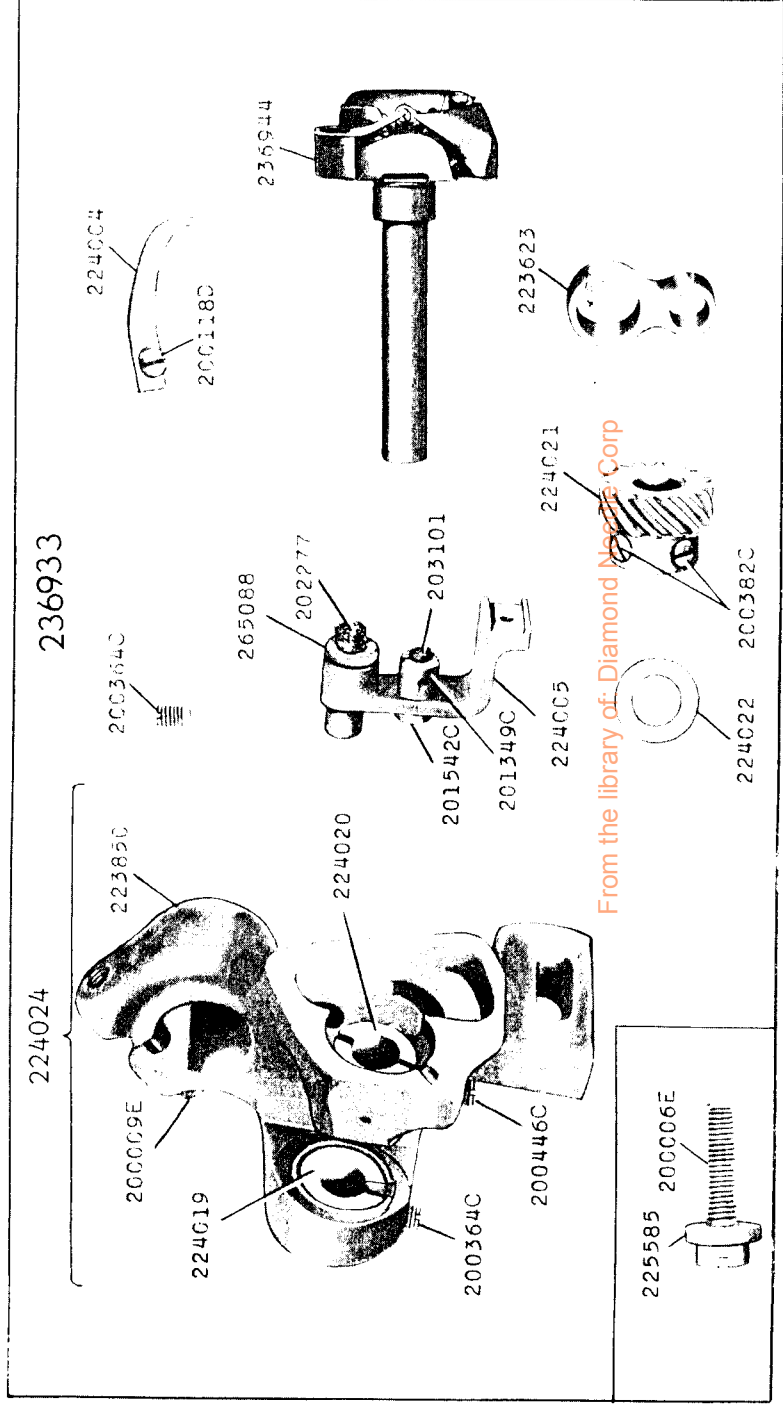
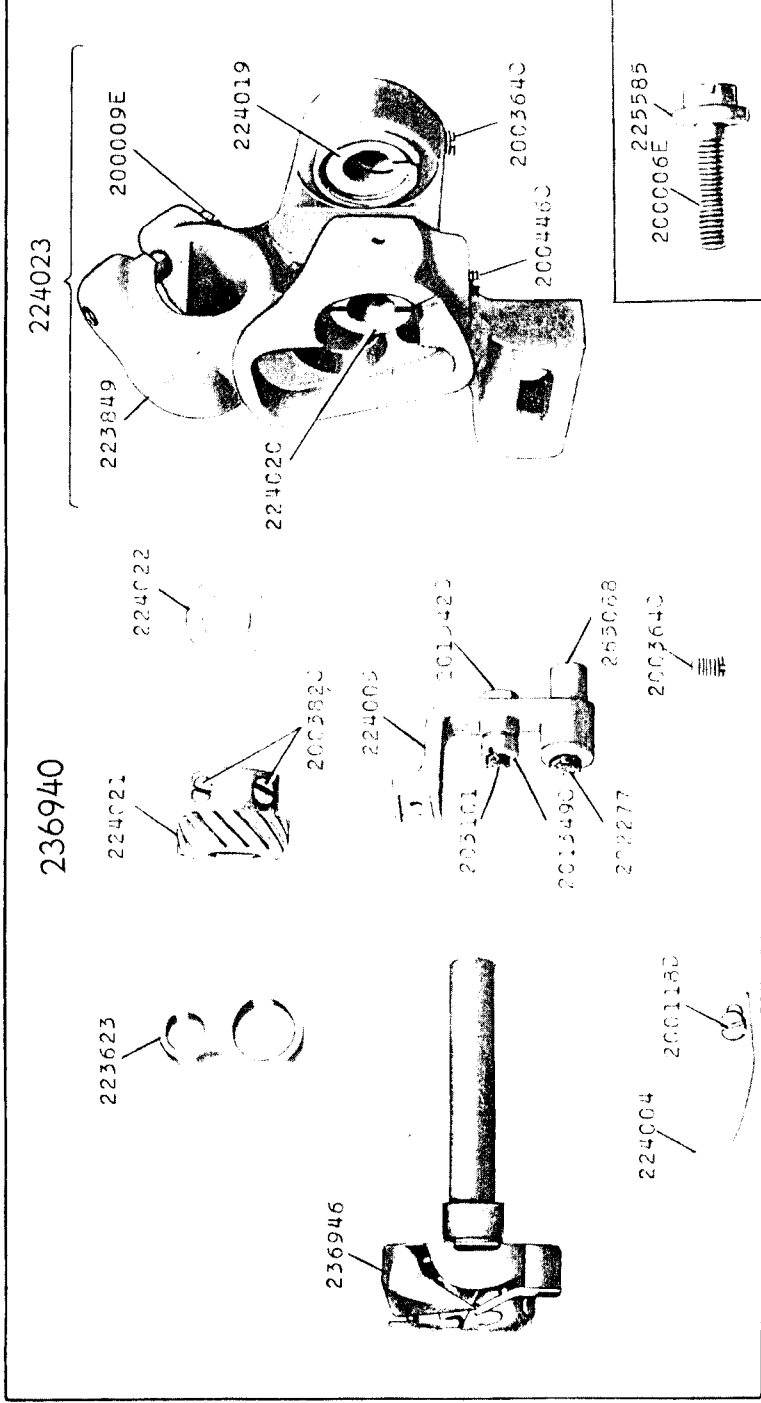
From the library of: Diamond Needle Corp

17765



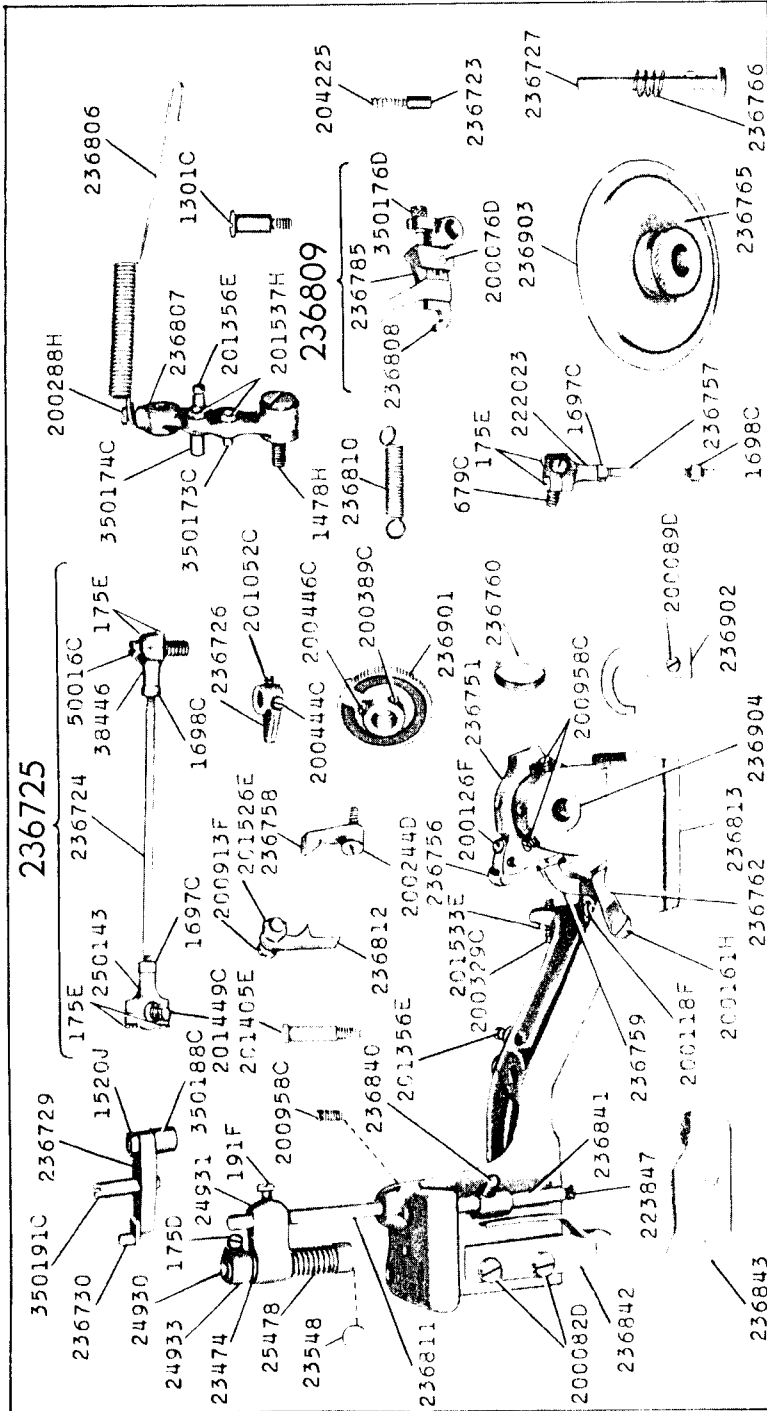
17766



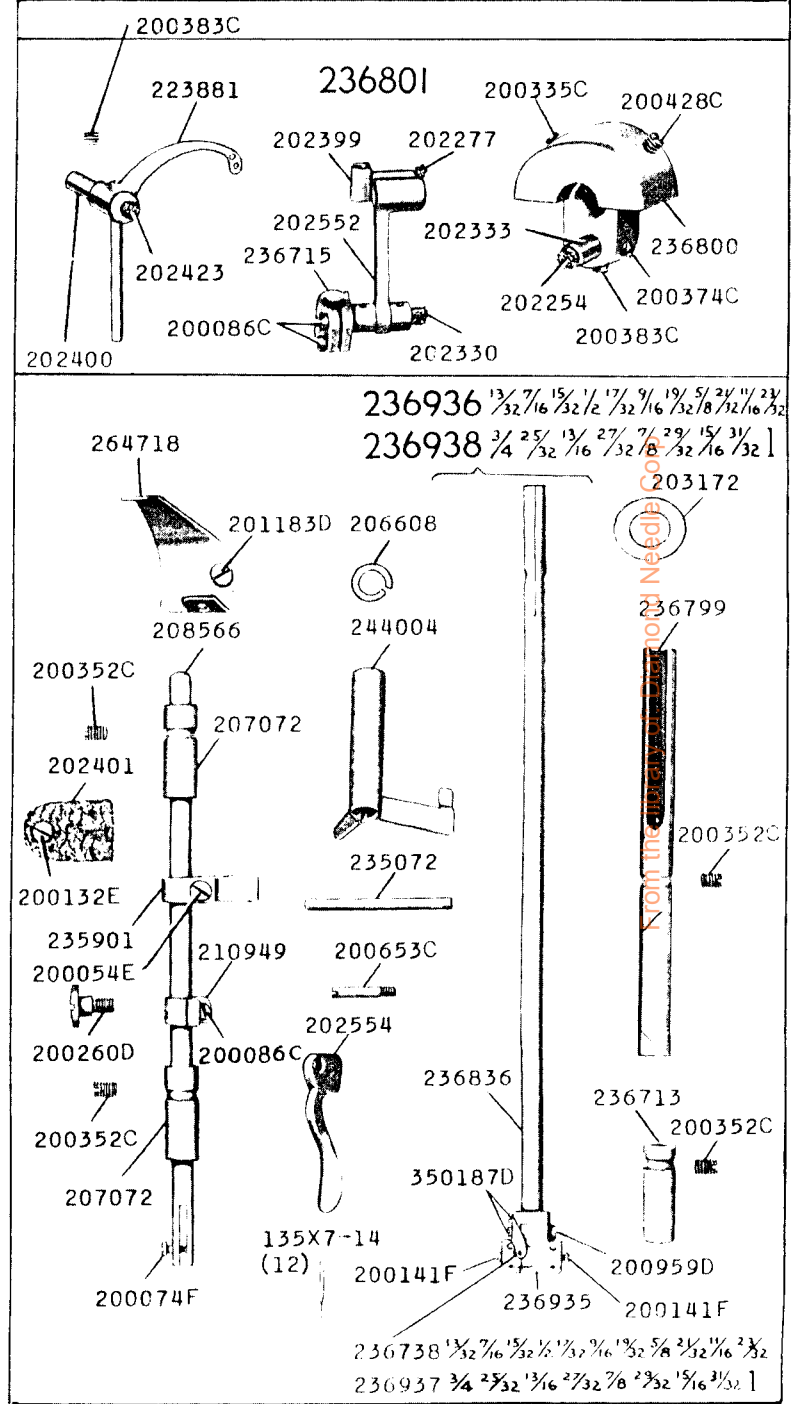


From the library of: **Diamond Machine Corp**

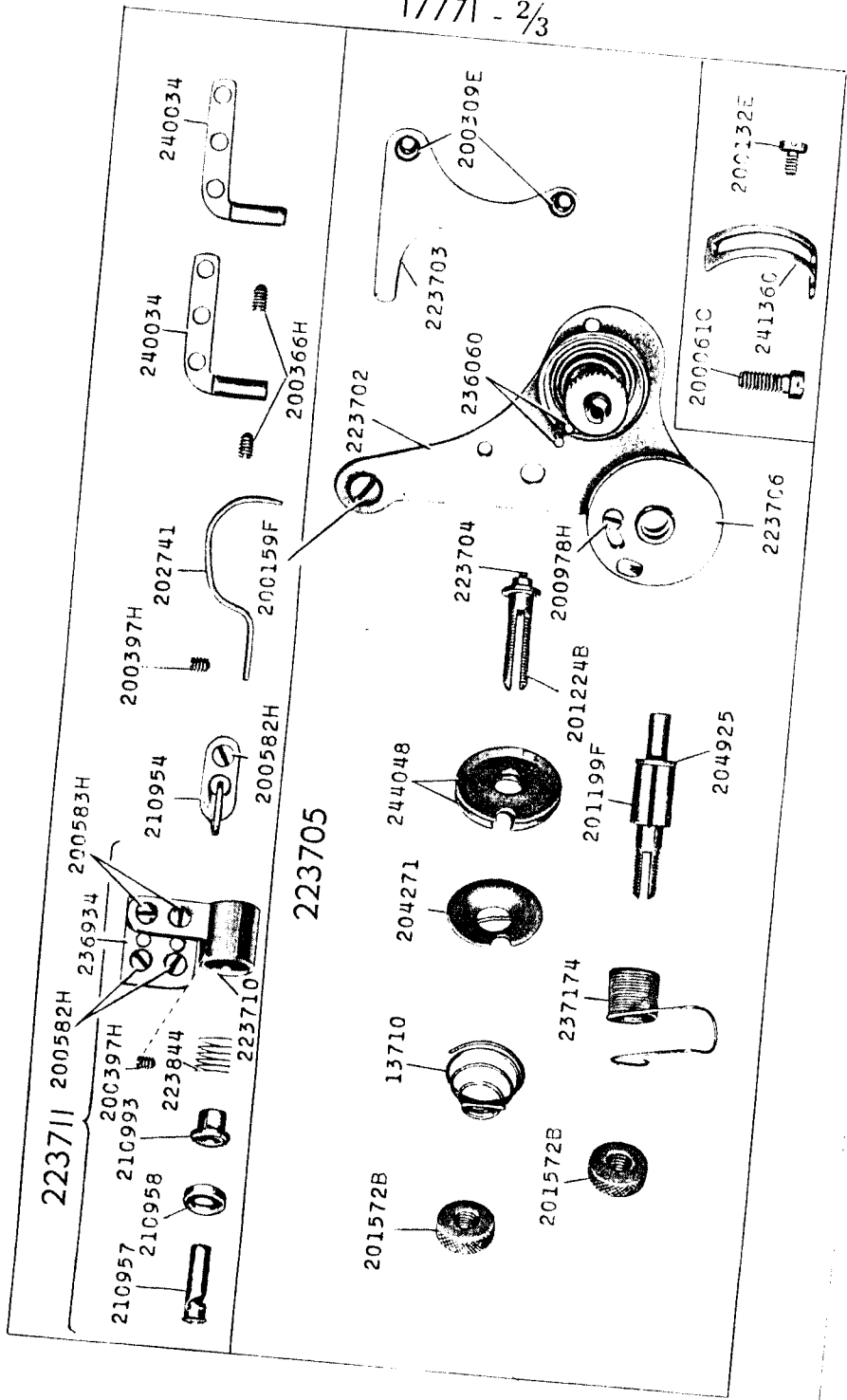
17769 - 1/3



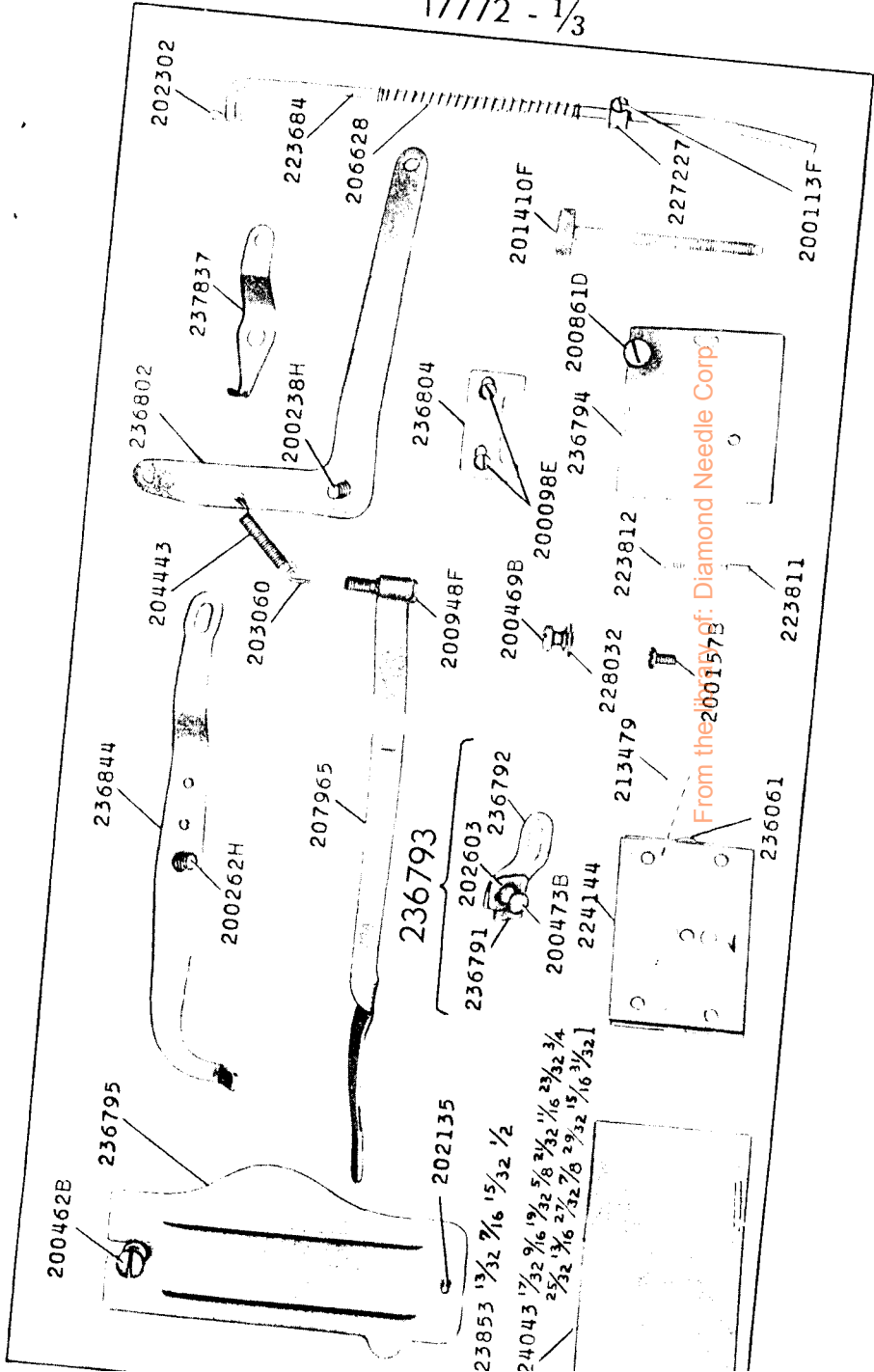
17770 - 3/8

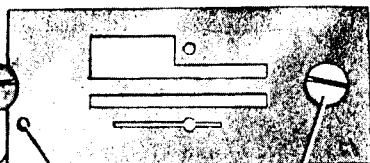
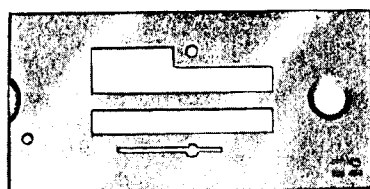
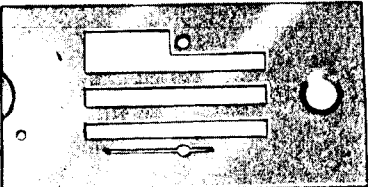
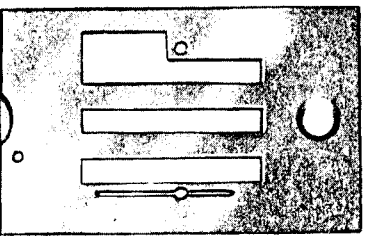
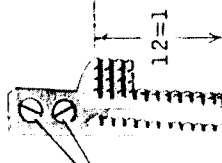
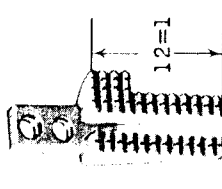
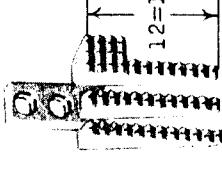
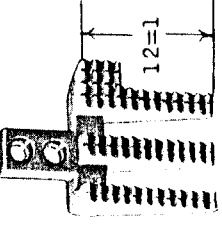


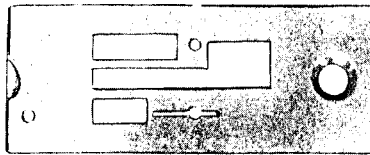
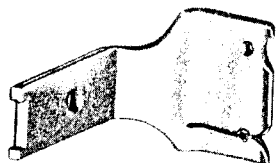
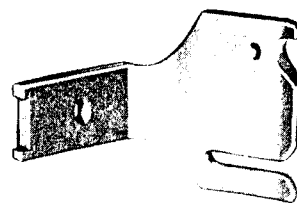
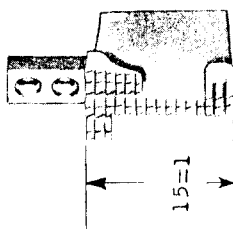
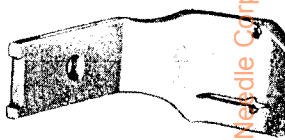
17771 - 2/3



17772 - 1/3



<p>236923-46 236924-50 1/2 1/32 1/16 1 9/32 5/8</p> <p>2001610</p> <p>203376</p> <p>691F</p> 	<p>236925-46</p> 	<p>236926-46</p> 	<p>236929-46 236930-50</p> 
<p>236907</p> <p>200106E</p>  <p>12=1</p>	<p>236909</p>  <p>12=1</p>	<p>236908</p>  <p>12=1</p>	<p>236910</p>  <p>12=1</p>

<p>236922-50 1 3/32 7/16 1 5/32 1/2</p> 	<p>236918-46 1 7/32 9/16 236916-46 1 9/32 5/8 2 1/2 1 1/16</p> 	<p>236915-46 2 3/32 3/4 236917-46 2 5/32 1 3/16 2 7/32 7/8 2 9/32 1 5/16 3 1/32 1</p> 	<p>236906</p>  <p>15=1</p>	
		<p>236914-46 1 3/32 7/16 1 5/32 1/2 1 7/32 9/16</p> 		

From the library of: Diamond Measle Corp